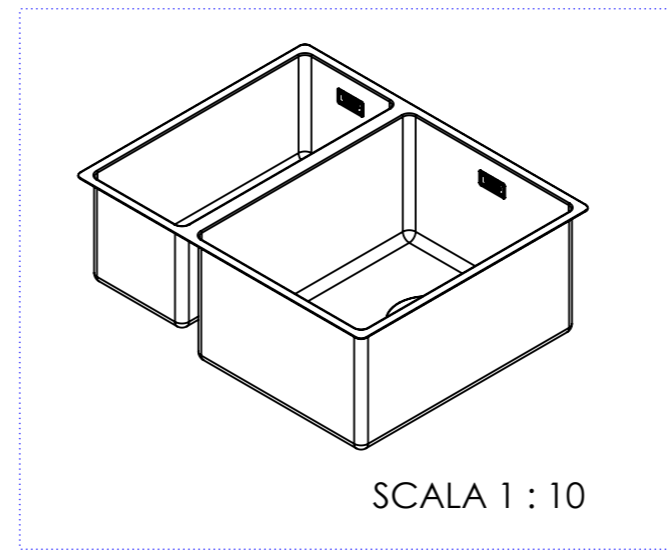
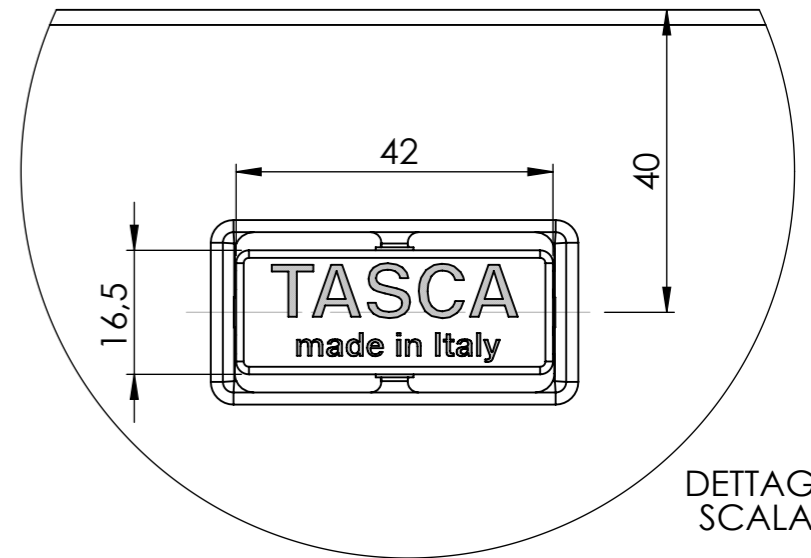
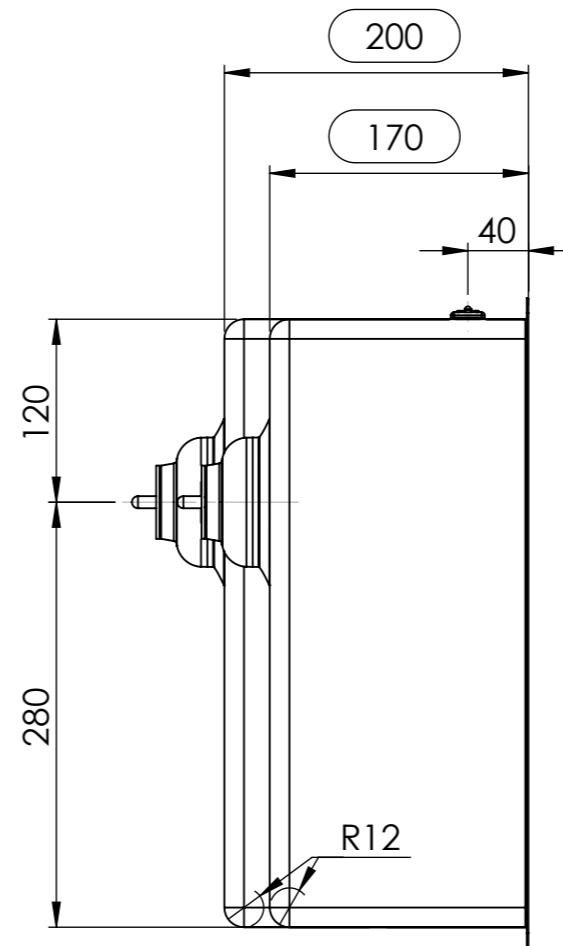
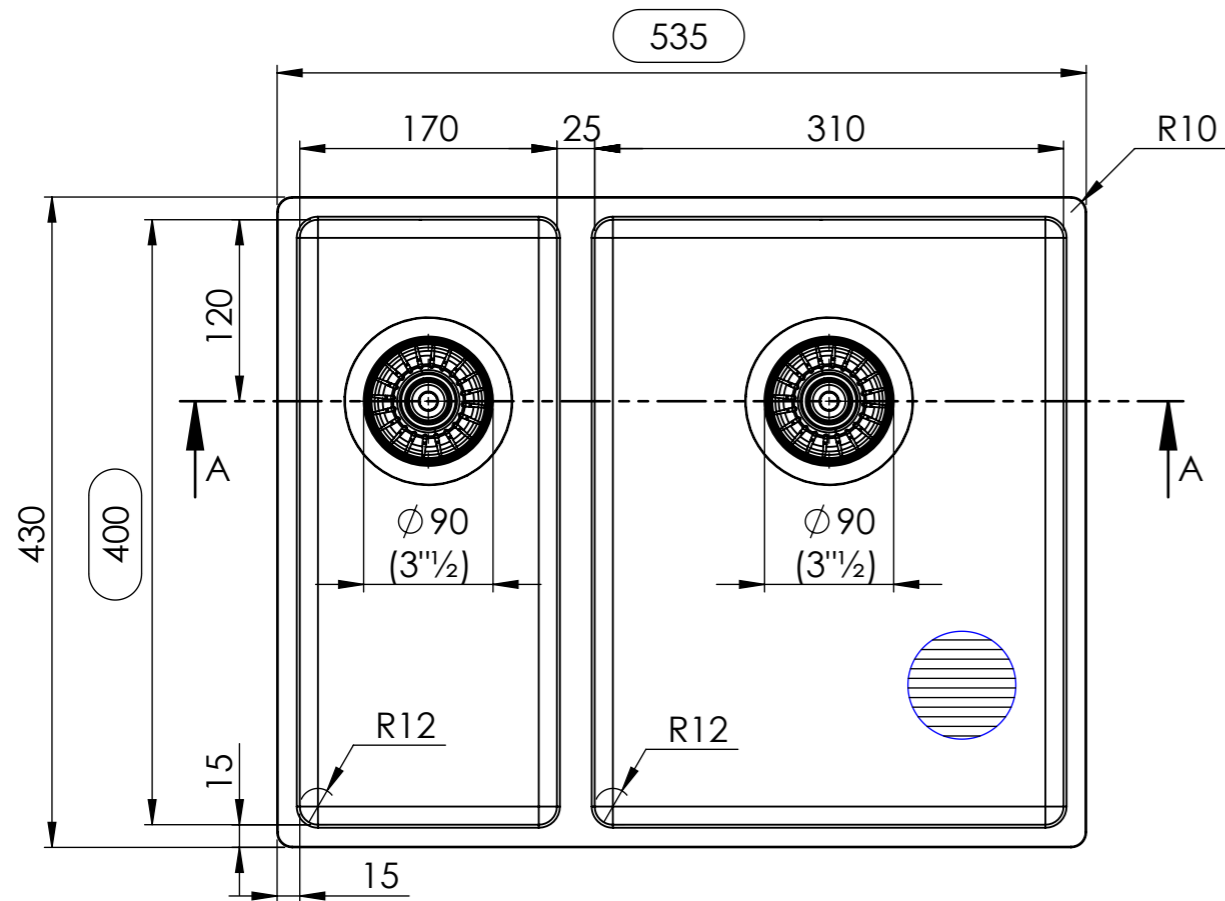


SEZIONE A-A

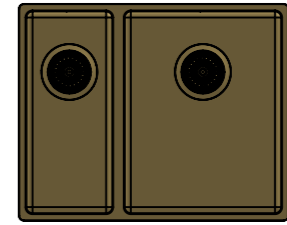


SCALA 1 : 10



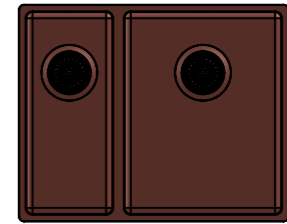
DETTAGLIO A
SCALA 1 : 1

M12DŘEZ00513
CB 53 DX dřez DD535x430 GOLD RIMS for topmount



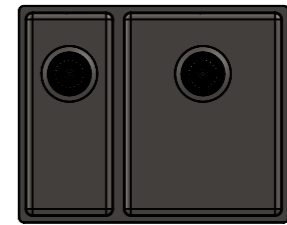
TASCA COD. **BB5310G**

M12DŘEZ00514
CB 53 DX dřez DD535x430 COPPER RIMS for topmount



TASCA COD. **BB5310Q**

M12DŘEZ00515
CB 53 DX dřez DD535x430 GUN METAL RIMS for topmount



TASCA COD. **BB5310P**

MATERIAL: STAINLESS STEEL AISI 304 Scotch Brite		TREATMENT			
QUOTE SENZA INDICAZIONE DI TOLLERANZA					
mm	da 000 a 6	da 6 a 30	da 30 a 120	da 120 a 315	oltre 315
tol	±0.05	±0.1	±0.15	±0.2	±0.3
Q.TY'		SCALE		DESIGNER	
		1:5		ANDREA	
DESCRIPTION		DATE		14.10.2020	
SINK 53X44X20/17 - AISI 304 SB - 2B - R12 (15 R10) WA. Ø 90 INT - OV. INT - FM		ORDER		DESKFORM a.s.	
N. DISEGNO		FRATELLI TASCA cod. CB 53			

